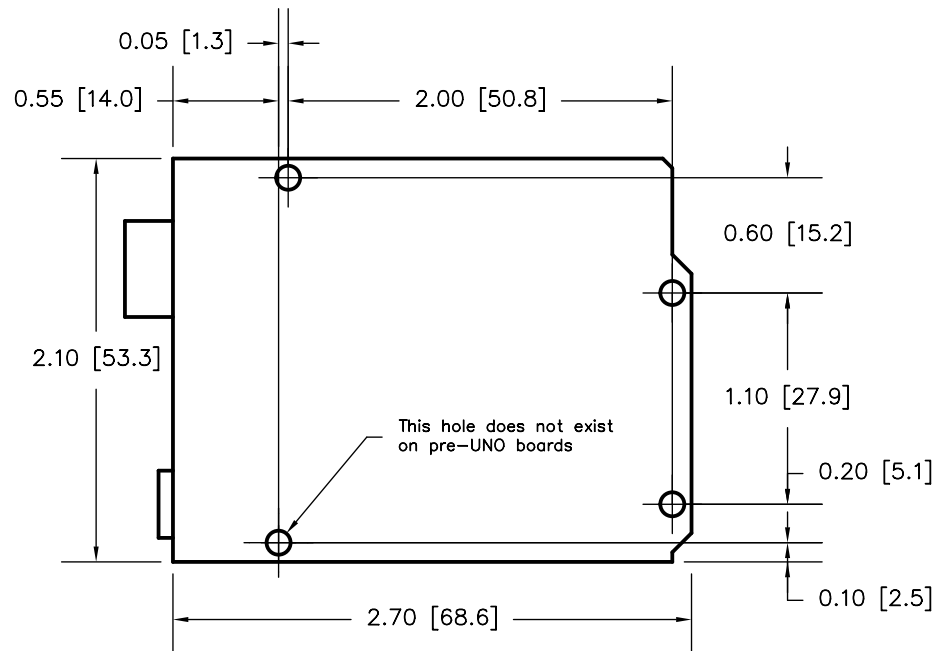


Arduino MEGA,  
MEGA 2560



Arduino UNO,  
UNO SMD,  
Duemilanove,  
Diecimila, NG,  
most "full-size"  
clones.

1 in. = [25.4mm]

## NOTES:

### Dimensions:

Dimensions are given in inches, as well as [millimeters], in order to accomodate 98% of the planet.

### Arduino Hole Dimensions:

All Arduino mounting holes are 3.2mm – about 0.125in. – in diameter. They will accomodate M3–0.5 or UNC 4–40 screws and standoffs.

If you wish to tap threaded holes in a baseplate, you should use the following pre-tap drill sizes:

M3–0.5    --    2.5mm  
4–40        --    #43 drill

### Using This Document:

You can use it simply as a reference to the physical dimensions or as a drilling guide. This document is drawn at a 1:1 scale, so you can print it out, tape it to the mounting surface and drill directly through the holes on the page. Use of a pre-drill punch is suggested.

### Printing:

To print at 1:1 scale, you should disable any "fit to page" or "page scaling" options. In Adobe Acrobat, select "Page Scaling: None" in the Print dialog box. Otherwise, the page will print about 6% smaller than full size.

TITLE: Arduino Dimensions and Hole Patterns	
NAME: J. M. DeCristofaro ("johngineer")	REVISION: 1-A
DATE: Feb. 24th, 2011	LICENSE: CC-BY-SA 3.0
SCALE: 1:1	for more license information visit: <a href="http://creativecommons.org/about/licenses">http://creativecommons.org/about/licenses</a>